



TO-92 Encapsulate Three-terminal voltage regulators

CJ79L06 Three-terminal negative voltage regulator

FEATURES

Maximum output current

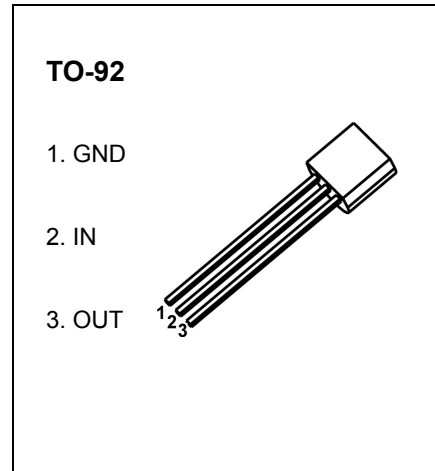
I_{OM} : 0.1 A

Output voltage

V_o : -6 V

Continuous total dissipation

P_D : 0.625 W



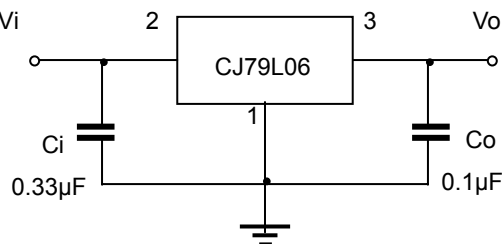
ABSOLUTE MAXIMUM RATINGS (Operating temperature range applies unless otherwise specified)

Parameter	Symbol	Value	Units
Input Voltage	V_i	-30	V
Operating Junction Temperature Range	T_{OPR}	0~+150	°C
Storage Temperature Range	T_{STG}	-55~+150	°C

ELECTRICAL CHARACTERISTICS AT SPECIFIED VIRTUAL JUNCTION TEMPERATURE ($V_i=-11V, I_o=40mA, C_i=0.33\mu F, C_o=0.1\mu F$, unless otherwise specified)

Parameter	Symbol	Test conditions	Min	Typ	Max	Unit
Output Voltage	V_o	25°C	-5.75	-6.0	-6.25	V
		-8V ≤ V_i ≤ -20V, $I_o=1mA\sim 40mA$	-5.7	-6.0	-6.3	V
		0-125°C, $I_o=1mA\sim 70mA$	-5.7	-6.0	-6.3	V
Load Regulation	ΔV_o	$I_o=1mA\sim 100mA$, 25°C		21	80	mV
		$I_o=1mA\sim 40mA$, 25°C		11	40	mV
Line Regulation	ΔV_o	-8V ≤ V_i ≤ -20V, 25°C		20	175	mV
		-9V ≤ V_i ≤ -20V, 25°C		15	125	mV
Quiescent Current	I_q	25°C		3.9	6.0	mA
Quiescent Current Change	ΔI_q	-9V ≤ V_i ≤ -20V, 0-125°C			1.5	mA
	ΔI_q	1mA ≤ V_i ≤ 40mA, 0-125°C			0.1	mA
Output Noise Voltage	V_N	10Hz ≤ f ≤ 100KHz, 25°C		44		μV
Ripple Rejection	RR	-9V ≤ V_i ≤ -19V, f=120HZ, 0-125°C	40	48		dB
Dropout Voltage	V_d	25°C		1.7		V

TYPICAL APPLICATION



Note: Bypass capacitors are recommended for optimum stability and transient response and should be located as close possible to the regulators.